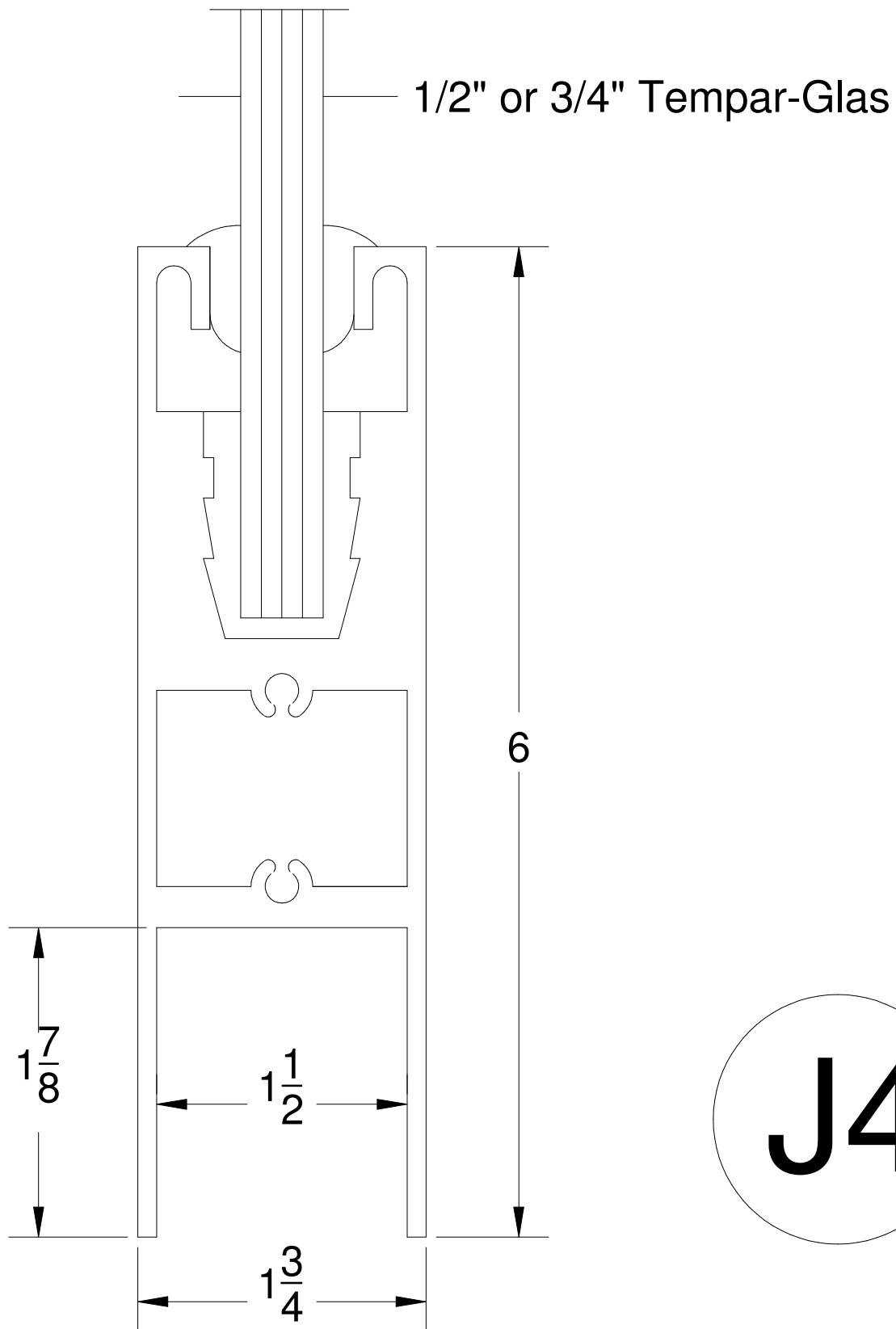


RAIL SECTION



J4

VGS 60-65 Continuous Rail
Square Profile