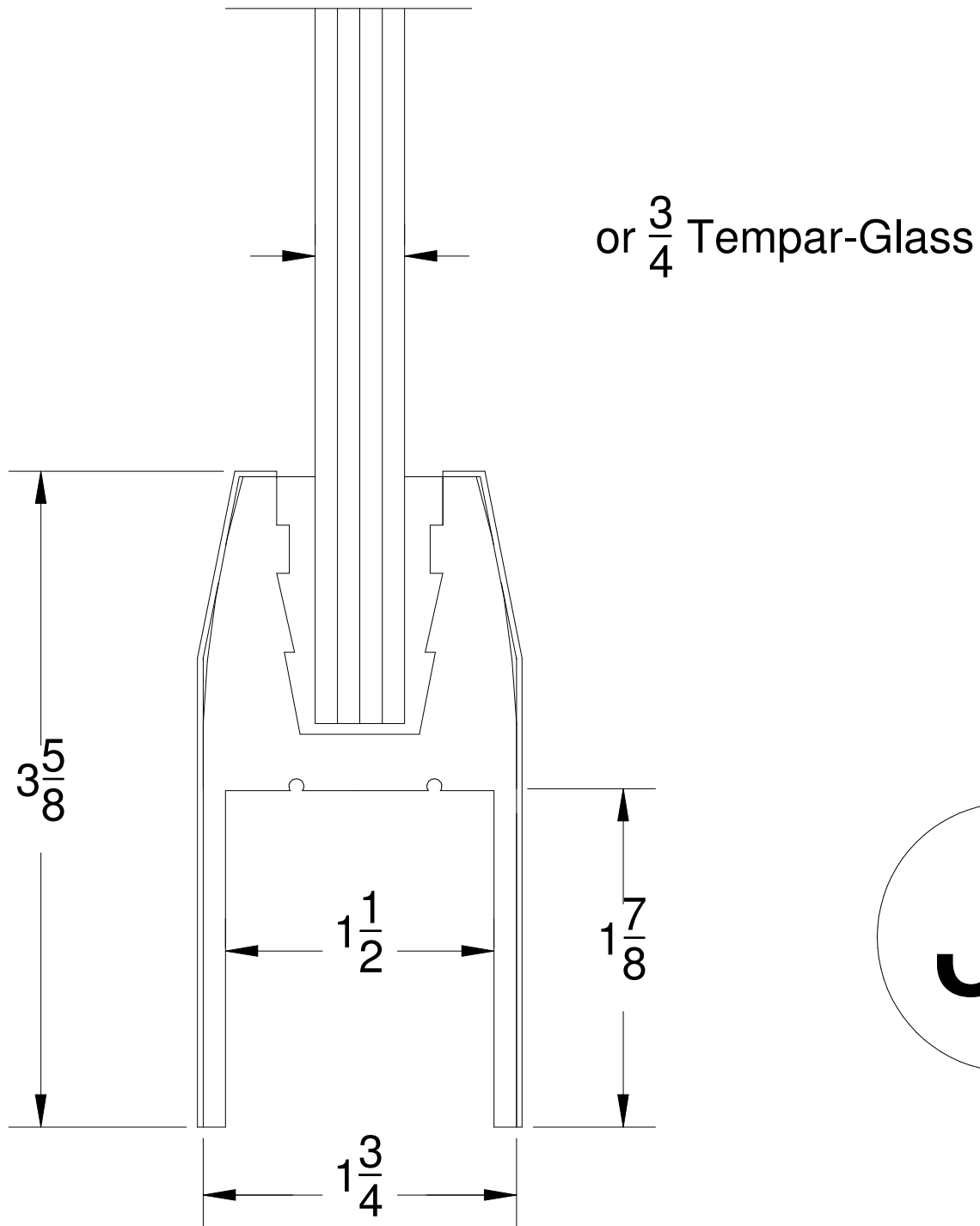


RAIL SECTION



J3

VGS 50-55 CONTINUOUS RAIL
RADIUS PROFILE W/CLADDING