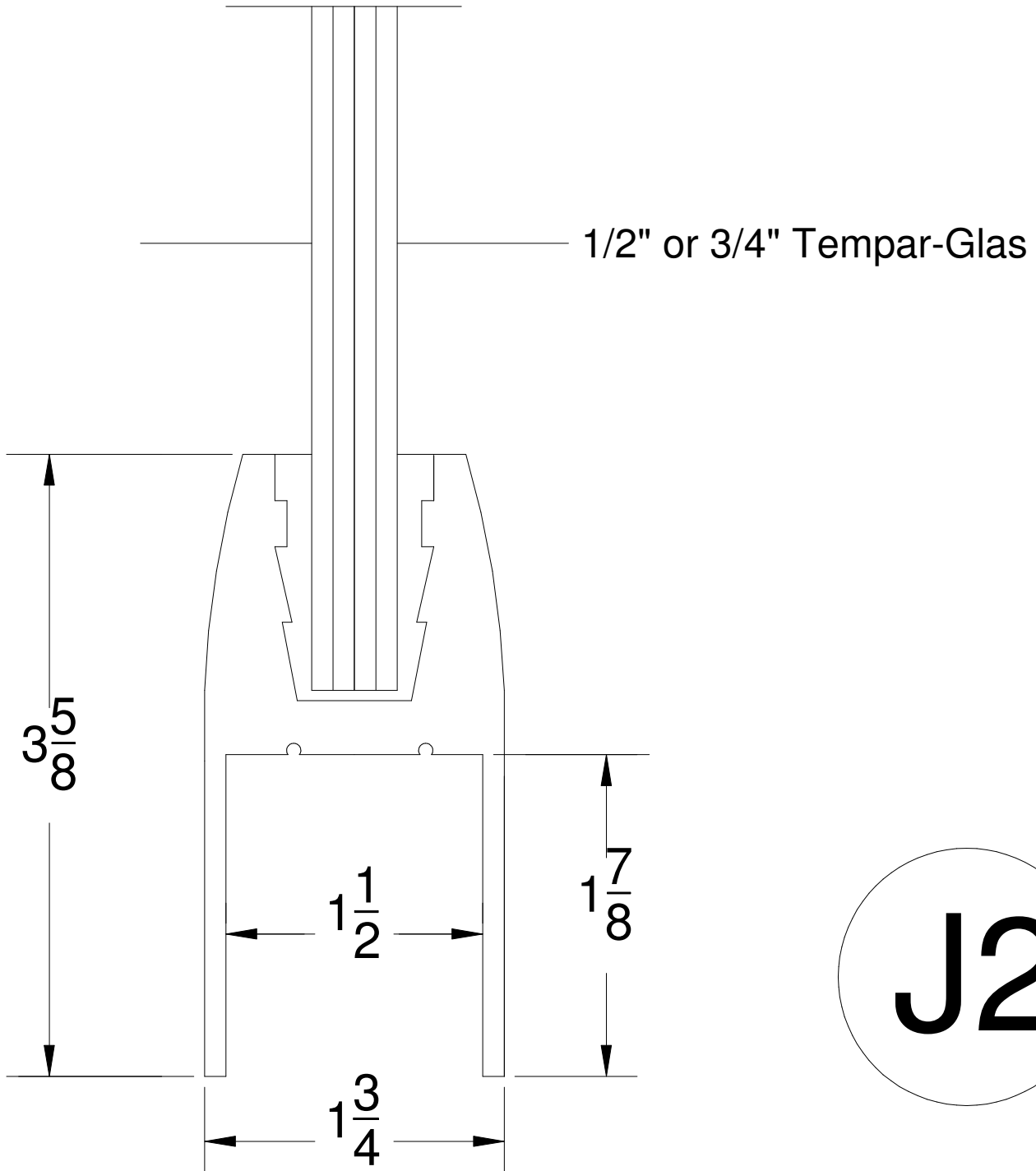


# RAIL SECTION



VGS 50-55 CONTINUOUS RAIL  
RADIUS PROFILE