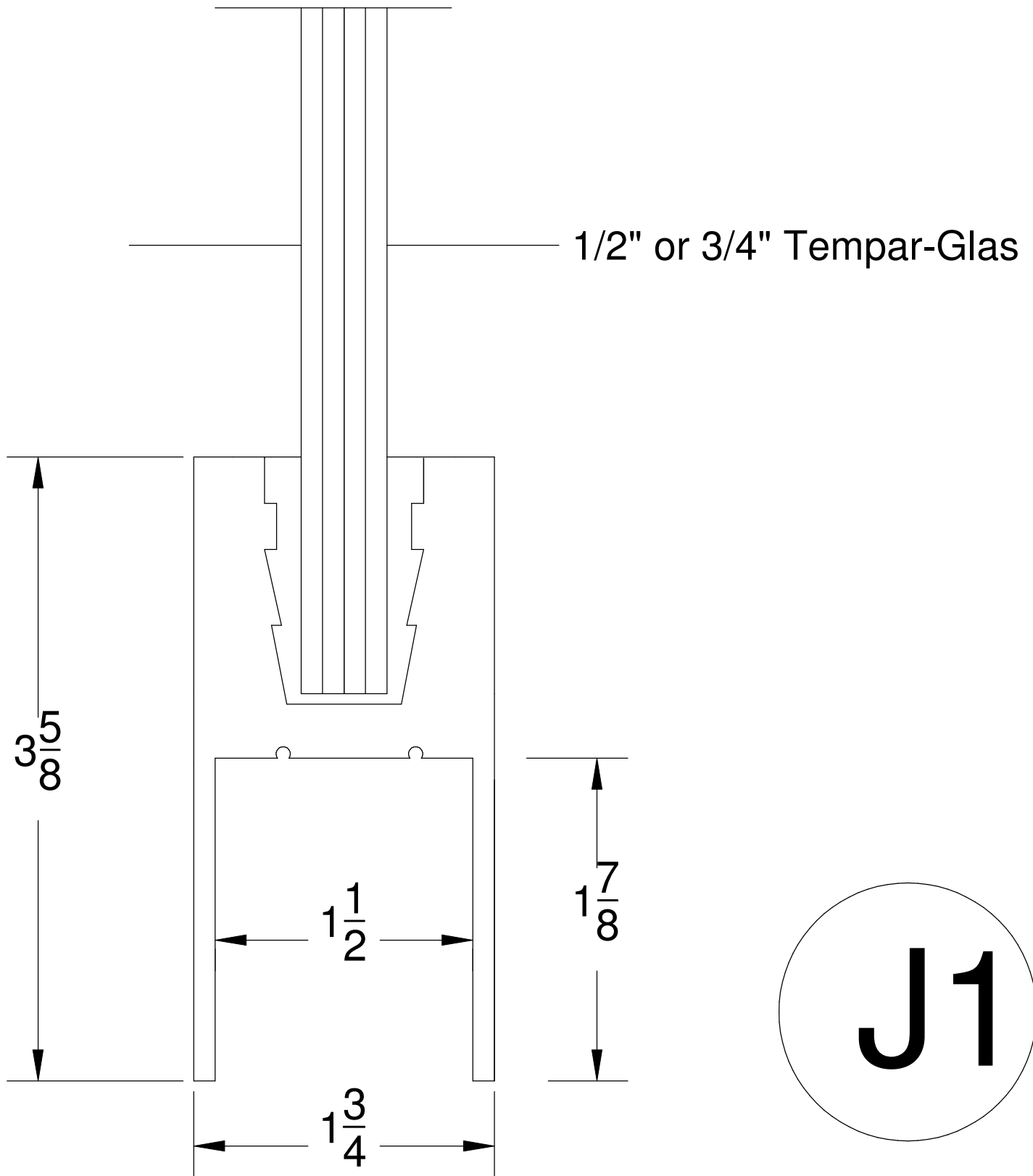


# RAIL SECTION



VGS 60-55 CONTINUOUS RAIL  
SQUARE PROFILE