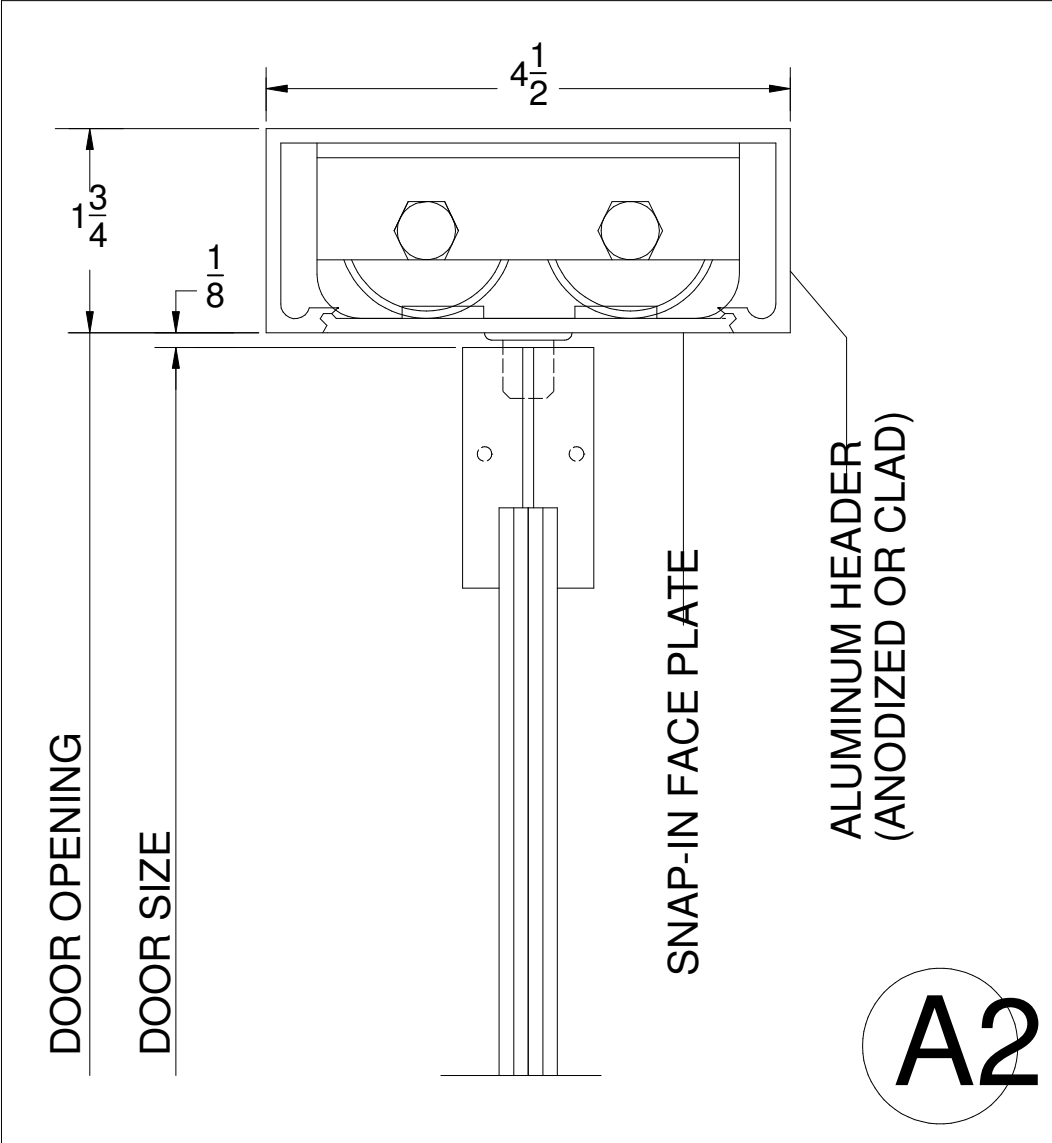


# DOOR SECTIONS AT HEAD



HEAD DETAIL-Type AGA or B/P Door W/Overhead Closer